

SUPPLIER: MTN HIGH E&S CO.
REDMOND, OR. 97756 USA

REVISION HISTORY			
REV	MO-DA-YR	E. C. O. / APPR.	NOTES
A	04-10-00	PLM	CHANGED TO NEW FORMAT & ADDRESS
B	08-27-2013	HBS / PLM	REVISED SELECTION CHART

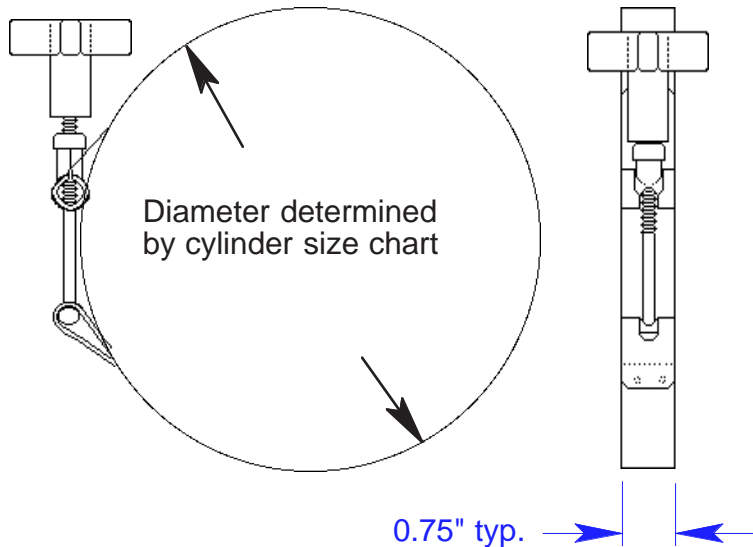
SPECIFICATIONS;

MATERIAL; 304 STN STL
 THICK; 0.025" Typ.
 T-BOLT; 1/4-28 UNJF 305 STN. STL.
 GRIP KNOB; Plastic with 1/4-28 brass insert
 TEMP RANGE; N/A

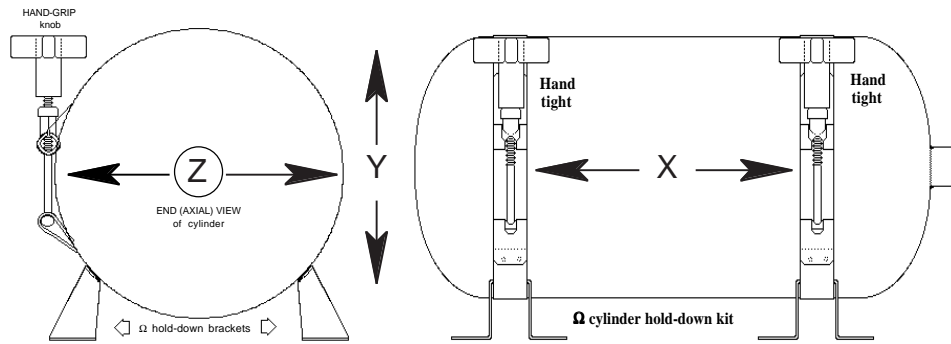
NOTICE

This "Ω" type cylinder hold-down mounting kit has not been tested, but has been designed to comply or exceed to the objectives of:

Z axis @ approx. 8 G. sin.
 Y axis @ approx. 6 G. sin.
 X axis @ approx. 2-4 G. sin. Dependant upon cylinder type



Cylinder Type	CMK Band ID	CMK Standard No Cushion Band Item #	CMK Quick Release No Cushion Band Item #	CMK Quick Release With Cushion Band Item #
AL-113, 180	3.25	00CMK-0010-01		
AL-113, 180	3.25		00CMK-0010-02	
AL-248, 415, 682	4.50		00CMK-0016-02	
AL-647	5.25	00CMK-0004-01	00CMK-0004-02	
CFF-480	4.75	00CMK-0022-01		00CMK-0022-03
CFFC-048	7.12			00CMK-0006-03
CFFC-022	5.25			00CMK-0004-03
KF-050	7.12			00CMK-0006-03
KF-011	3.75			00CMK-0002-03
KF-077	7.50		00CMK-0008-02	
KF-077	7.75			00CMK-0008-03
KF-115	9.00	00CMK-0012-01	00CMK-0012-02	
KF-115	9.25			00CMK-0012-03



UNLESS OTHERWISE SPECIFIED DIMS ARE IN INCHES. TOLERANCES ARE:				THIRD ANGLE PROJECTION		MOUNTAIN HIGH E&S CO. REDMOND, OR. USA		
0.X	±0.015	ANGLES	FRACTIONS	63	DO NOT SCALE DRAWING	[KC] NUMBER OF KEY CHARACTERISTICS IN THIS DRAWING / DOCUMENT PER MH DOC: ESR-001		
0.XX	±0.010	± 0.5°	± 1/64			00		
0.XXX	±0.005							
INTERPRET GD&T PER ASME 14.5				FMT REV G		CYLINDER Mounting Kit Chart (SCD)		
ORIG.:	PLM / BAW	01-15-98	MATERIAL:	NOTE 1	DWG. E930114			
DRWN.:	PLM / BAW	01-15-98	FINISH:	NOTE 2	INV: N/A	REV A	SIZE A	
ENG.:	PLM / BAW	01-15-98	CLEAN:	NOTE 3	CAT: N/A			
APPR.:	NAME	MO-DA-YR	MARKING:	NOTE 4	SHEET 1 OF 1	DC: 5ICMK-0003-00		