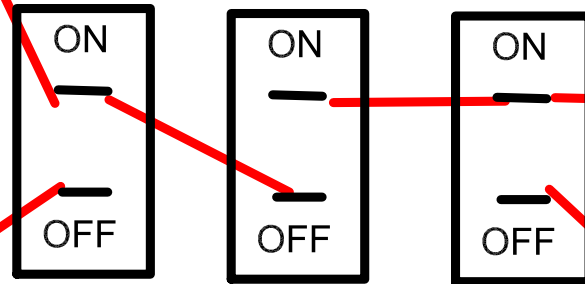
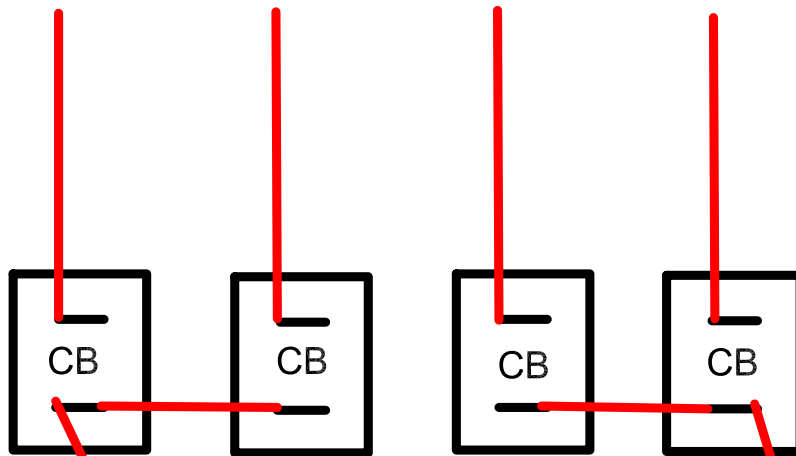
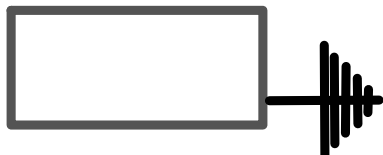


To terminal block then to + for separate instruments



Switches DPDT Toggle Up for ON

+12 Volt Bat 1



+12 Volt Bat 2



Ground Battery & Instruments
All common

Insturctions:

Normal

Left Toggle Up Bat 1 On

Right Toggle Up Bat 2 On

Batteries are isolated

To run all instrument on one battery

Middle toggel Up On

Right or Left toggle down Off for Bat OFF

Circuit Breakers

Radio 4 amp

LX9000 PowerFlarm 5 amp

Trig 21 3 Amp

Butterfly Vario 4 Amp